

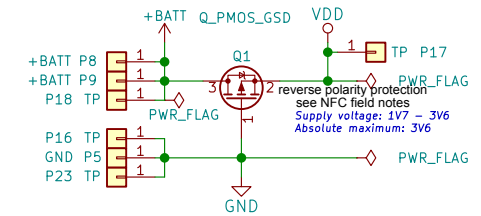
RuuviTag

Open-Source Sensor Beacon

ruuvi.com

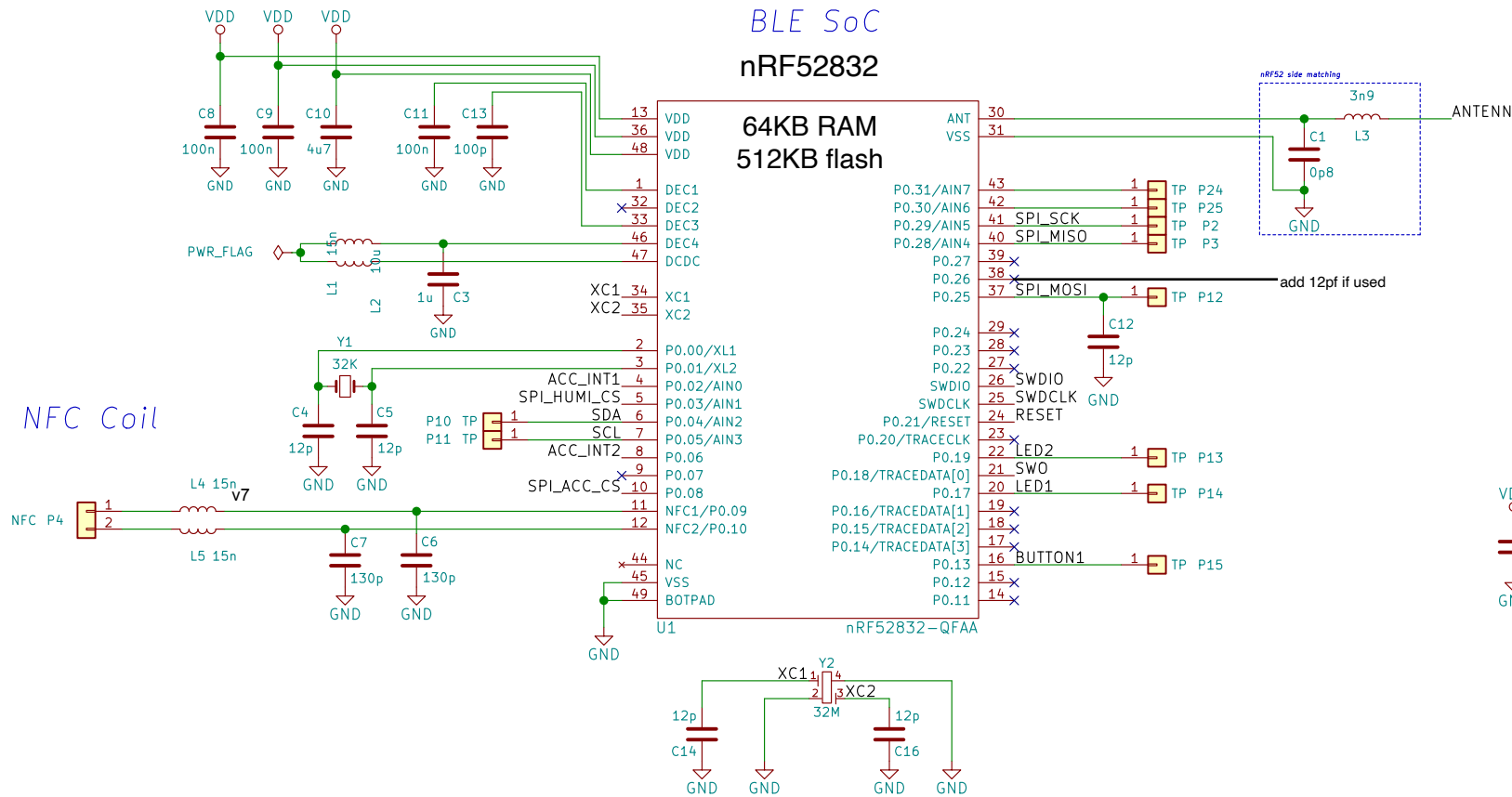
Changelog after Rev.B3:
 Remove SPI_MOSI and VDD traces from under BME280
 Alignment holes 1mm -> 1.2mm
 Bottom solder mask cutout under the nRF52 to avoid risk of mask pocket
 Add R and B silkscreen markings
 Two new test points: P24 and P25. Connected to P0.31 and P0.30.
 Many minor modifications to routing

Power Source

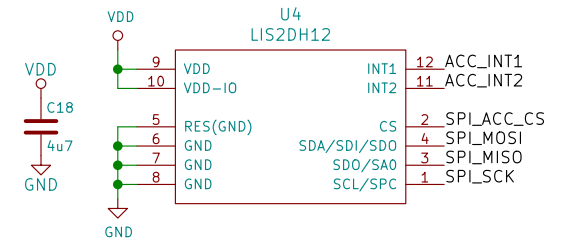


BLE SoC nRF52832

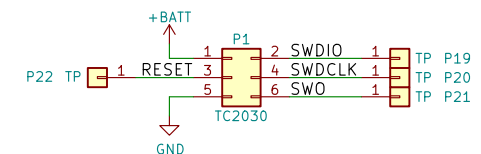
64KB RAM
512KB flash



Accelerometer

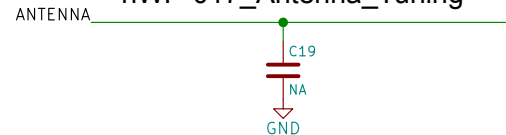


Debug Port

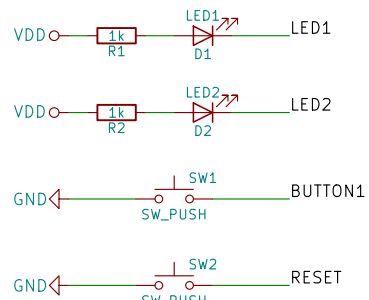


Antenna

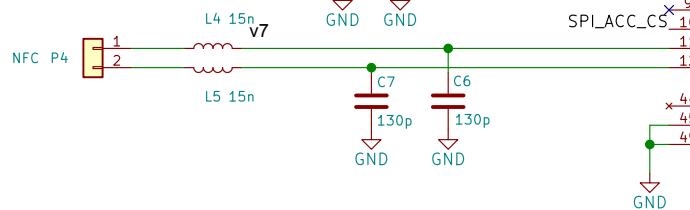
1/4 wavelength monopole
23mm*1.30=30mm
nWP-017_Antenna_Tuning



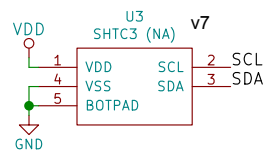
LEDs & Buttons



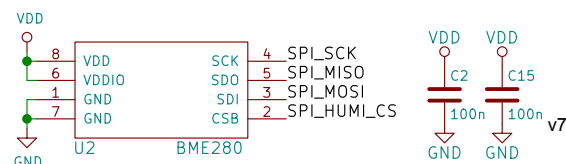
NFC Coil



Humidity + Temperature



Pressure + Humidity + Temperature



B7.1: SHTC3, L4, L5, C15 a

License: <http://creativecommons.org/licenses/by-sa/4.0/>
 Ruuvi Innovations Ltd. / Lauri Jämsä / lauri@ruuvi.com

Sheet: /
 File: ruuvitag_revb71.sch

Title: RuuviTag

Size: A3 Date: 2019-10-24
 KiCad E.D.A. kicad (5.1.4-0-10.14)

Rev: B7.1
 Id: 1/1

